

V991 & V992

SURFACE BOX FOR VALVE SURFACE BOX FOR HYDRANT



Product Description

V991 Surface Box for Valve and V992 Surface for Hydrant are compact casting units which make it possible to actuate a service connection valve, a buried gate valve or a fire hydrant from above ground



V991 Surface Box for Valve



V992 Surface for Hydrant

Related Products

- V993 Telescopic Extension Spindle
- V15 Series Gate Valves
- V10 Series Butterfly Valve
- V554 Underground Fire Hydrant

Application Range

- Water distribution
- House connection lines
- Fire Fighting
- Protection for fittings

V991 & 992

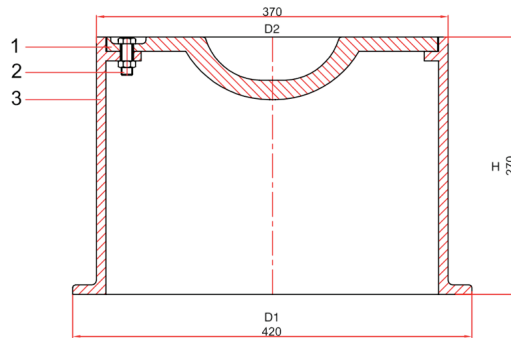
SURFACE BOX FOR VALVE SURFACE BOX FOR HYDRANT



Product Features

- Compact size
- Light-weight
- Durable to high load pressures
- Easy to locate and operate
- Optimum tightness between body and cover
- Protects extension spindle from dirt
- Mechanically secured against theft
- Customised marking available for each water authority
- Bitumen(asphalt) coated

V991 Surface Box for Hydrant – Material List & Dimensions Table



No	Part	Material
1	Cover	GG25 Gray Iron / GGG40 Ductile Iron
2	Body	GG25 Gray Iron / GGG40 Ductile Iron
3	Pin	St.37 Steel

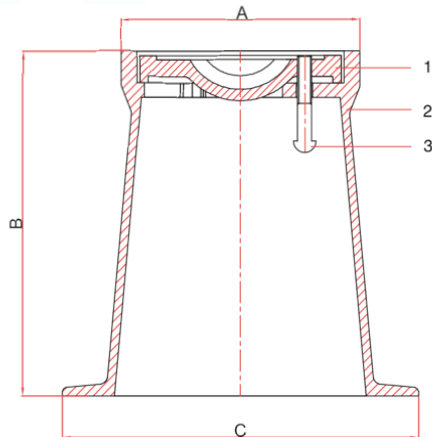
D1	D2	H
420	370	270

V991 & 992

SURFACE BOX FOR VALVE SURFACE BOX FOR HYDRANT



V991 Surface Box for Valve – Material List & Dimensions Table



No	Part	Material
1	Cover	GG25 Gray Iron / GGG40 Ductile Iron
2	Body	GG25 Gray Iron / GGG40 Ductile Iron
3	Pin	St.37 Steel

No	Small (mm.)	Large (mm.)
A	182	170
B	242	178
C	259	206